

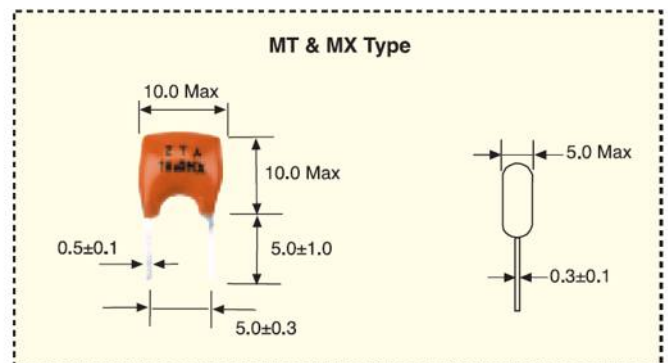
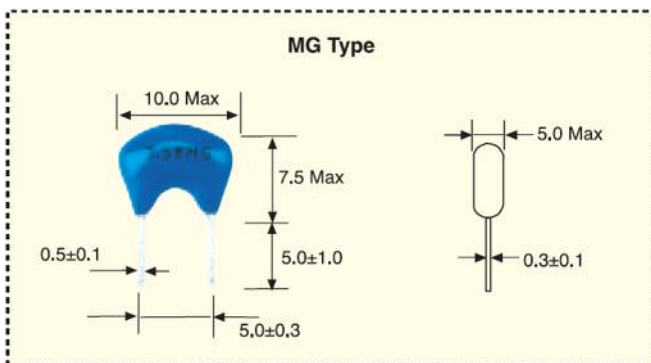
# IR ZTA



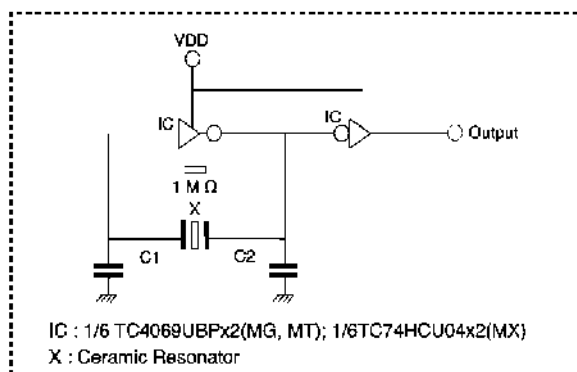
## Ceramic Resonator

Part Number	Frequency Range (MHz)	Frequency Accuracy	Stability in Temperature (-25°C ~ +85°C)	Aging for Ten Years	Load Capacitance	
					C1	C2
IRZTA MG	1,79 – 8,00	±0,5%	±0,3%	±0,3%	30 pF	
IRZTA MT	6,00 – 13,00	±0,5%	±0,3%	±0,3%	30 pF	
IRZTA MX	12,00 – 60,00	±0,5%	±0,3%	±0,3%	30 pF (13,01~20,0 MHz) 15pF (20,01~25,99MHz) 5pF (26,00~60,00MHz)	

### Dimensions (Unit: mm)



### Test Circuit:



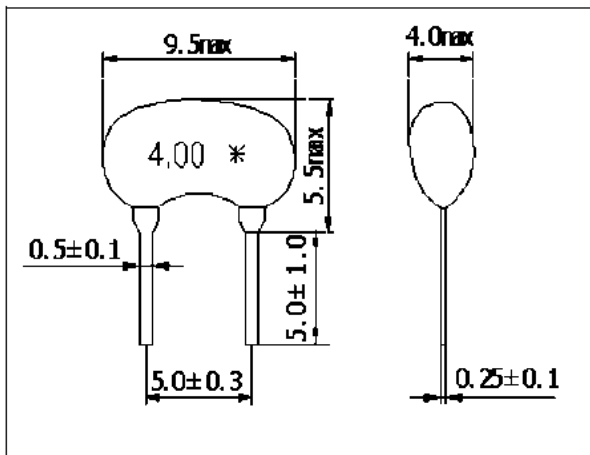
# IR ZTAWS



## Ceramic Resonator

Item	Specification
Oscillation Frequency	1,79 ~ 6,00 MHz
Frequency Accuracy	±0,5%
Resonant Impedance (Ω) max	30
Temperature Coefficient of Oscillation Frequency max	±0,3% (Oscillation Frequency drift -25°C ~+85°C)
Aging Rate max for ten years	±0,3%
Rating Voltage max	6 VDC <span style="float: right;">15Vp-p</span>
Insulation Resistance	100M Ω min
Withstanding Voltage	100 VDC, 5 second max

### Dimensions: (Unit: mm)



### Test Circuit:

